

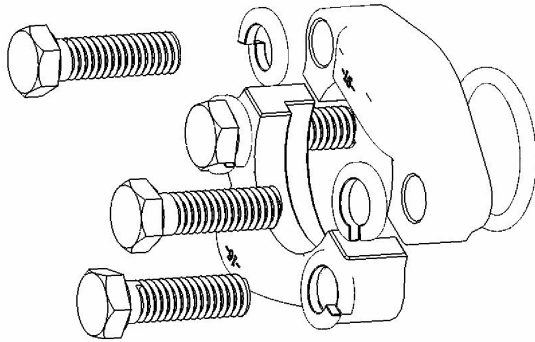
基本安装组件-标准压力系列

KSF

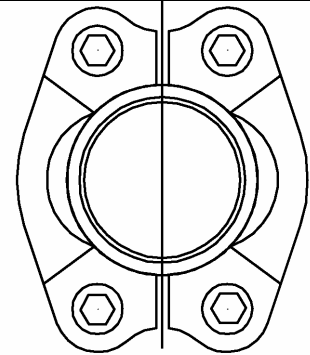
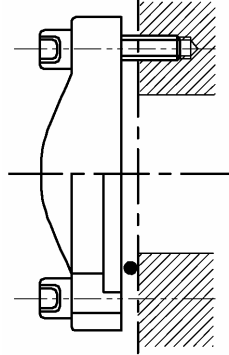
SAE J518 对口法兰基本安装组件 3000PSI=210 Bar					
型号.	规格	法兰	螺栓	O 型圈	重量
KSF-08	1/2"	SF-08	H31125	2210	0.21
KSFM-08		SFM-08	M8*25/40		
KSF-12	3/4"	SF-12	H-38125	2214	0.29
KSFM-12		SFM-12	M10*30/40		
KSF-16	1"	SF-16SF	H-38125	2219	0.33
KSFM-16		SFM-16	M10*30/45		
KSF-20	1-1/4"	SF-20	H-44150	2222	0.48
KSFM-20		SFM-20	M10*35/45		
KSF-24	1-1/2'	SF-24	H-50150	2225	0.69
KSFM-24		SFM-24	M12*35/50		
KSF-32	2"	SF-32	H-50150	2228	0.73
KSFM-32		SFM-32	M12*35/50		
KSF-40	2-1/2"	SF-40	H-50175	2232	1.00
KSFM-40		SFM-40	M12*40/60		
KSF-48	3'	SF-48	H-63175	2237	1.73
KSFM-48		SFM-48	M12*45/70		
KSF-56	3-1/2"	SF-56	H-63200	2241	1.97
KSFM-56		SFM-56	M12*45/70		
KSF-64	4"	SF-64	H-63200	2245	2.15
KSFM-64		SFM-64	M16*50/80		
KSF-80	5"	SF-80	H-63200	2253	3.12
KSFM-80		SFM-80	M16*50/80		

KSF or KSFx includes 2 Split halves 4 High Grade UNC Bolts ,4 Lock Washers and 1 O-Ring Seal NBR 90

KSFM or KSFXM includes 2 Split halves 4 High Grade Metric Bolts ,4 Lock Washers and 1 O-Ring Seal NBR 90



基本安装组件-高压力系列



KSFX

SAE J518 对口法兰基本安装组件 3000PSI=210 Bar					
型号	规格	法兰	螺栓	O 型圈	重量
KSFX-08 KSFXM-08	1/2"	SFX-08 SFXM-08	H-31125 M8*25/40	2210	0.23
KSFX-12 KSFXM-12	3/4"	SFX-12 SFXM-12	H-38150 M10*30/40	2214	0.48
KSFX-16 KSFXM-16	1"	SFX-16 SFXM-16	H-38175 M10*30/45	2219	0.74
KSFX-20 KSFXM-20	1-1/4"	SFX-20 SFXM-20	H-50175 M10*35/45	2222	1.06
KSFX-24 KSFXM-24	1-1/2"	SFX-24 SFXM-24	H-63225 M12*35/50	2225	1.87
KSFX-32 KSFXM-32	2"	SFX-32 SFXM-32	H-75275 M12*35/50	2228	2.98
KSFXM-40 KSFXM-48	2-1/2" 3"	SFXM40 SFXM-48	M24*75 M30*90	2232 2237	5.41 11.0

KSF or KSFX includes 2 Split halves 4 High Grade UNC Bolts ,4 Lock Washers and 1 O-Ring Seal NBR 90

KSFM or KSFXM includes 2 Split halves 4 High Grade Metric Bolts ,4 Lock Washers and 1 O-Ring Seal NBR 90



The earlier the better